

A faint, dotted world map in the background of the left page.

SCOPE OF APPLICATION

A large amount of smoke will be generated during the following operations and the particles in the smoke and harmful gases will cause great harm to the operator and the environment.

Tel : +86-755-29004522

Fax : +86-159 8681 1552

Knowhow Technology Co.,Limited

E-Mail : sales@knokoo.com / info@knokoo.com

Add : 1508, Taojing Business Building, Minbao Road, Longhua District, Shenzhen City, China 518131

FUME EXTRACTOR

PRODUCT BROCHURE

Contains the most comprehensive and high-quality smoke purifier

A large, stylized graphic of the year "2020" in white, set against a bright yellow background. The numbers are thick and have a modern, rounded font style.

PRODUCT CATALOG

01 Smoke Soldering Series



FES45	03
FES100	03
FES150	04
FES200S	04
FED200S	05
FES220S	05
FED220S	06
FES300S	06
FED300S	07
FES350A	07
FES400	08
FES600	08
FES800	09

02 Laser Series



FES350F	13
FES500	13
FES1000	14
FES1800	14

03 Smart Industrial Dust Collector



FES3000i	17
FES5500i	18

04 Pulse Reverse Blow Series



FES1100	21
FES1500	22
FES2200	23
FES3000	24
FES4000	25
FES5500	26
FES7500	27

05 Moxibustion Beauty Series



FES200A	31
FES220A	31
FED300A	32

06 High Negative Pressure Series



FES2000G	35
FES4000G	36

07 Wave Soldering Series



FES1500W	39
FES3000W	39

08 Soot Flavor Series



FES45S	43
FES060	43
FES160	44
FES200F	44
FES320	45

09 Smoke Purifier Series



FES050	49
FES048	49
FES072	50

SMOKE SOLDERING SERIES



01

Product Overview

Electronic soldering, soldering iron soldering, rosin soldering and other processes are common soldering methods in the PCB industry. Whether it is manual soldering or automatic soldering, various components and concentrations of smoke will be generated during the work process. For different types and concentrations of smoke, different power and filter components need to be used for smoke purifiers. Our YW series single arm smoke purifier or one tray multi station purifier has won unanimous praise from many customers on the market for its high efficiency, high cost-effectiveness, low noise, and low energy consumption configuration standards. This type of machine has mature technology, stable quality, and better performance than common purifier products on the market.

Product Features

Small in size, it occupies minimal operating space, offers flexible placement, presents a neat and aesthetic appearance, and is easy to move;

The body adopts a fully metal integrated frame structure, which is highly impact-resistant and durable;

High-performance brushless fan, featuring large air volume, high negative pressure, stable operation, and low failure rate;

By manually adjusting the knob, the motor can achieve stepless speed regulation to increase or decrease negative pressure and air volume;

Aluminum alloy impeller, with stable performance, good balance, large air volume, and low noise;

The filter adopts a modular structure, making replacement simple and quick, with low usage cost;

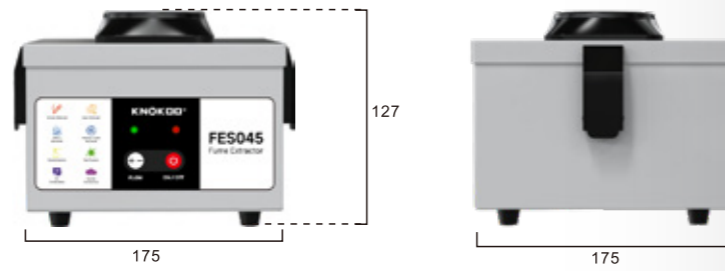
Multi-layer filtration prevents large particles of smoke dust from prematurely clogging the main filter, thereby extending the lifespan of the main filter element;

Standard configuration includes a 0.75M black universal suction arm with a diameter of 55MM;

The universal suction arm can hover freely at any position within 360 degrees, offering high flexibility;

It can be used immediately after being powered on, easy to get started, simple to operate, and free from the hassle of installation.

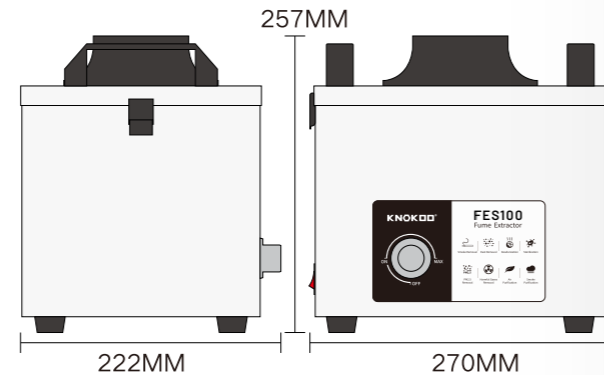
FES045



※Product performance or appearance may be upgraded and changed please refer to the actual product.

PRODUCT MODEL	FES045	POWER	45W
INPUT VOLTAGE	AC100-240V	AIR FLOW	138m³/h
FILTER LAYERS	2 Layers	PORT DIAMETER	Φ50mm
PIPE LENGTH	0.35m(Customizable)	FILTRATION EFFCIENCY	0.3μm,99.97%
NOISE	<45dB	MAX NEGATIVE PRESSURE	1600pa
DIMENIONS	L175*W175*H127 mm	NET WEIGHT	2 kg

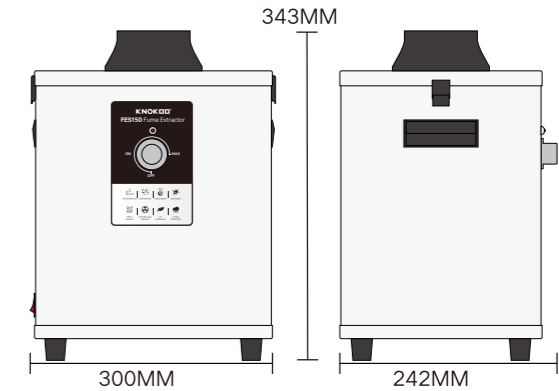
FES100



※Product performance or appearance may be upgraded and changed please refer to the actual product.

PRODUCT MODEL	FES100	POWER	100W
INPUT VOLTAGE	AC110 / AC220V	AIR FLOW	226m³/h
FILTER LAYERS	3 Layers	PORT DIAMETER	Φ50mm
PIPE LENGTH	0.75m(Customizable)	FILTRATION EFFCIENCY	0.3μm,99.97%
NOISE	<50dB	MAX NEGATIVE PRESSURE	2700pa
DIMENIONS	L270*W222*H257 mm	NET WEIGHT	7.0 kg

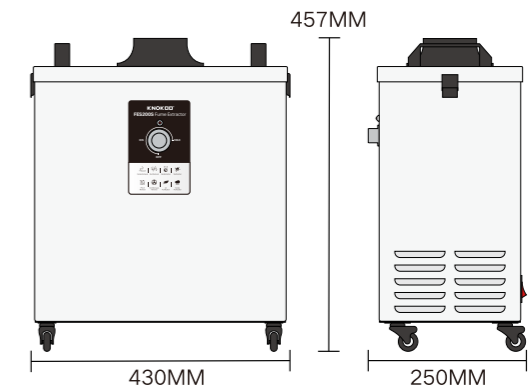
FES150



※Product performance or appearance may be upgraded and changed please refer to the actual product.

PRODUCT MODEL	FES150	POWER	15W
INPUT VOLTAGE	AC220V / 50Hz	AIR FLOW	258m³/h
FILTER LAYERS	3 Layers	PORT DIAMETER	Φ55mm
PIPE LENGTH	1.2m(Customizable)	FILTRATION EFFCIENCY	0.3μm,99.97%
NOISE	<50dB	MAX NEGATIVE PRESSURE	2200pa
DIMENIONS	L300*W242*H343 mm	NET WEIGHT	9.5 kg

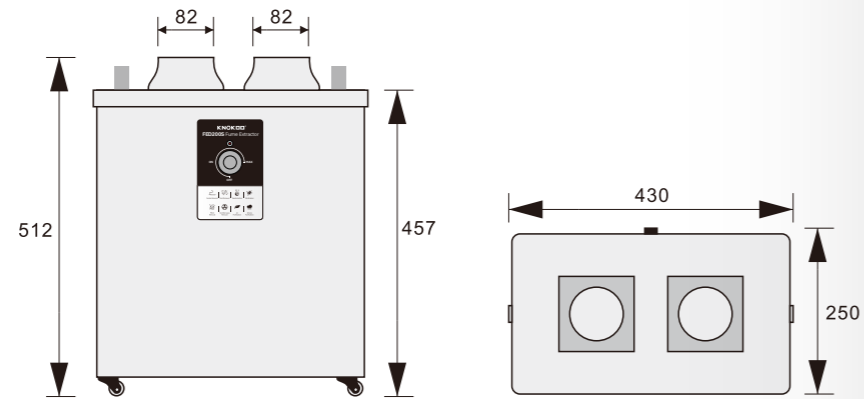
FES200S



※Product performance or appearance may be upgraded and changed please refer to the actual product.

PRODUCT MODEL	FES200S	POWER	200W
INPUT VOLTAGE	AC220V / 50Hz	AIR FLOW	425m³/h
FILTER LAYERS	3 Layers	PORT DIAMETER	Φ75mm
PIPE LENGTH	1.4m(Customizable)	FILTRATION EFFCIENCY	0.3μm,99.97%
NOISE	<55dB	MAX NEGATIVE PRESSURE	3000pa
DIMENIONS	L430*W250*H457 mm	NET WEIGHT	16.1 kg

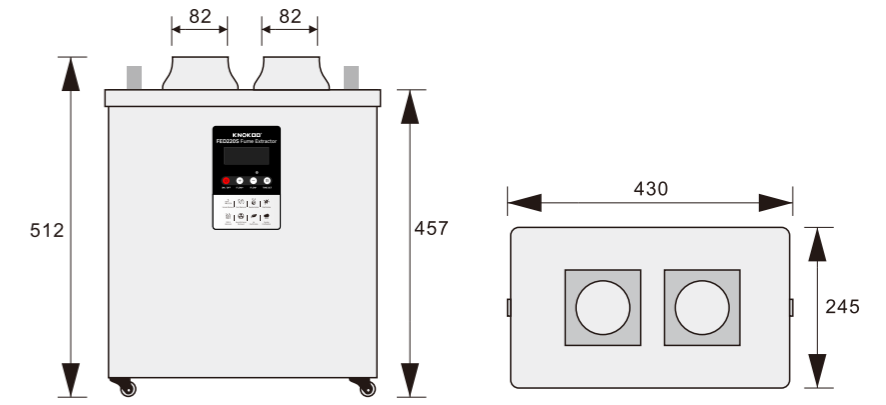
FED200S



※Product performance or appearance may be upgraded and changed please refer to the actual product.

PRODUCT MODEL	FED220S	POWER	200W
INPUT VOLTAGE	AC220V / 50Hz	AIR FLOW	425m³/h
FILTER LAYERS	3 Layers	PORT DIAMETER	Φ75mm
PIPE LENGTH	1.4m(Customizable)	FILTRATION EFFCIENCY	0.3μm,99.97%
NOISE	<55dB	MAX NEGATIVE PRESSURE	3000pa
DIMENIONS	L430*W250*H457 mm	NET WEIGHT	16.1 kg

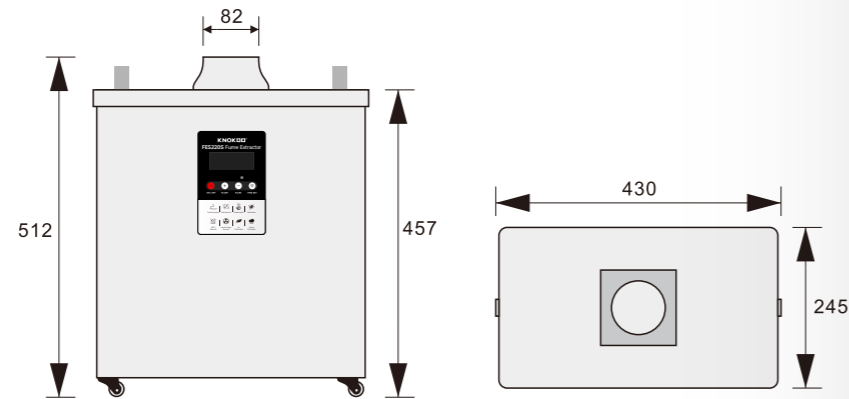
FED220S



※Product performance or appearance may be upgraded and changed please refer to the actual product.

PRODUCT MODEL	FED220S	POWER	220W
INPUT VOLTAGE	AC220V / 50Hz	AIR FLOW	435m³/h
FILTER LAYERS	3 Layers	PORT DIAMETER	Φ75mm
PIPE LENGTH	1.4m(Customizable)	FILTRATION EFFCIENCY	0.3μm,99.97%
NOISE	<55dB	MAX NEGATIVE PRESSURE	3100pa
DIMENIONS	L430*W245*H457 mm	NET WEIGHT	16.0 kg

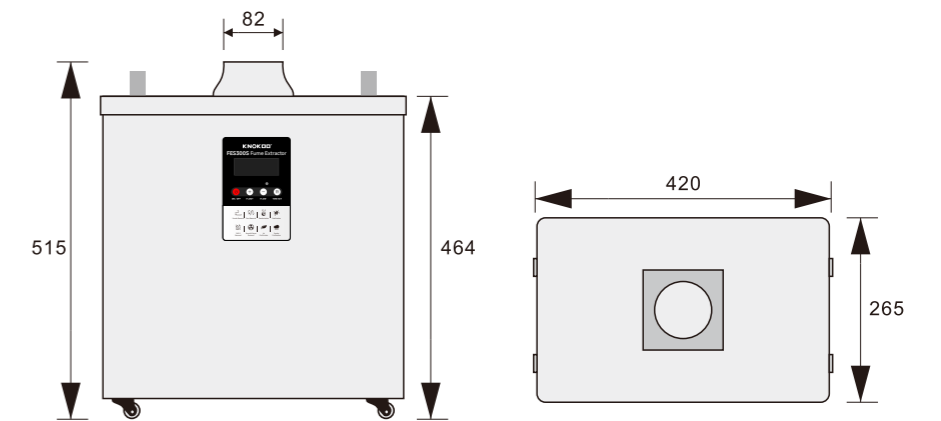
FES220S



※Product performance or appearance may be upgraded and changed please refer to the actual product.

PRODUCT MODEL	FES220S	POWER	220W
INPUT VOLTAGE	AC220V / 50Hz	AIR FLOW	435m³/h
FILTER LAYERS	3 Layers	PORT DIAMETER	Φ75mm
PIPE LENGTH	1.4m(Customizable)	FILTRATION EFFCIENCY	0.3μm,99.97%
NOISE	<55dB	MAX NEGATIVE PRESSURE	3100pa
DIMENIONS	L430*W245*H457 mm	NET WEIGHT	16.1 kg

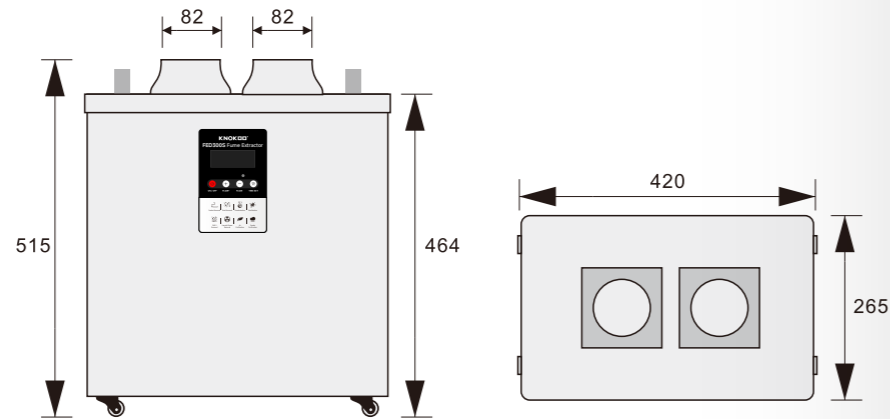
FES300S



※Product performance or appearance may be upgraded and changed please refer to the actual product.

PRODUCT MODEL	FES300S	POWER	300W
INPUT VOLTAGE	AC220V / 50Hz	AIR FLOW	445m³/h
FILTER LAYERS	4 Layers	PORT DIAMETER	Φ75mm
PIPE LENGTH	1.4m(Customizable)	FILTRATION EFFCIENCY	0.3μm,99.97%
NOISE	<55dB	MAX NEGATIVE PRESSURE	3200pa
DIMENIONS	L420*W265*H464 mm	NET WEIGHT	18.6 kg

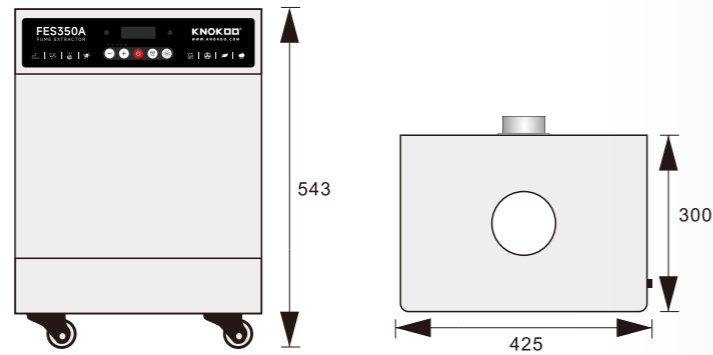
FED300S



※Product performance or appearance may be upgraded and changed please refer to the actual product.

PRODUCT MODEL	FED300S	POWER	300W
INPUT VOLTAGE	AC220V / 50Hz	AIR FLOW	445m³/h
FILTER LAYERS	4 Layers	PORT DIAMETER	Φ75mm
PIPE LENGTH	1.4m(Customizable)	FILTRATION EFFCIENCY	0.3μm,99.97%
NOISE	<55dB	MAX NEGATIVE PRESSURE	3200pa
DIMENIONS	L420*W265*H464 mm	NET WEIGHT	18.6 kg

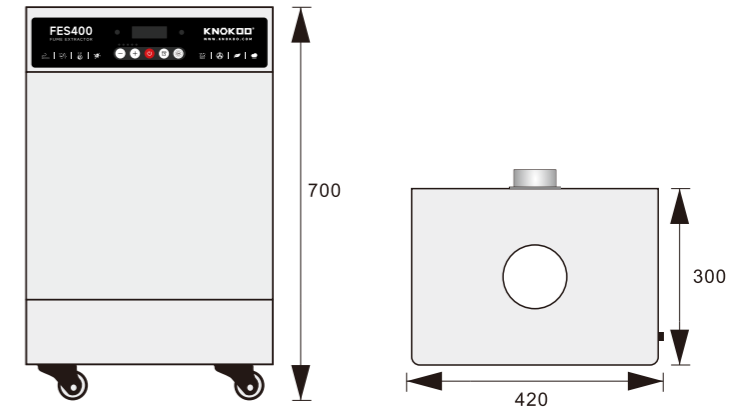
FES350A



※Product performance or appearance may be upgraded and changed please refer to the actual product.

PRODUCT MODEL	FES350A	POWER	350W
INPUT VOLTAGE	AC110 / AC220V	AIR FLOW	460m³/h
FILTER LAYERS	4 Layers	PORT DIAMETER	Φ80mm
PIPE LENGTH	1.4m(Customizable)	FILTRATION EFFCIENCY	0.3μm,99.97%
NOISE	<66dB	MAX NEGATIVE PRESSURE	3400pa
DIMENIONS	L425*W300*H543 mm	NET WEIGHT	29 kg

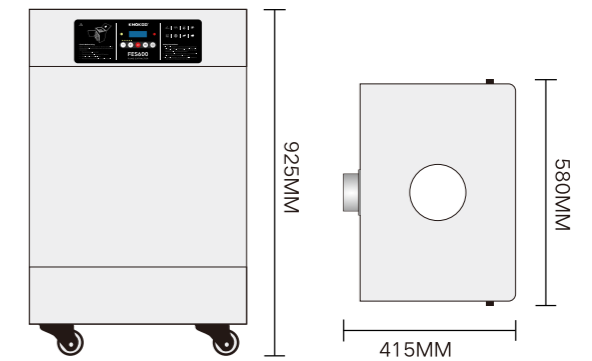
FES400



※Product performance or appearance may be upgraded and changed please refer to the actual product.

PRODUCT MODEL	FES400	POWER	400W
INPUT VOLTAGE	AC110 / AC220V	AIR FLOW	480m³/h
FILTER LAYERS	6 Layers	PORT DIAMETER	Φ80mm
PIPE LENGTH	1.4m(Customizable)	FILTRATION EFFCIENCY	0.3μm,99.97%
NOISE	<68dB	MAX NEGATIVE PRESSURE	2950pa
DIMENIONS	L420*W300*H700 mm	NET WEIGHT	36 kg

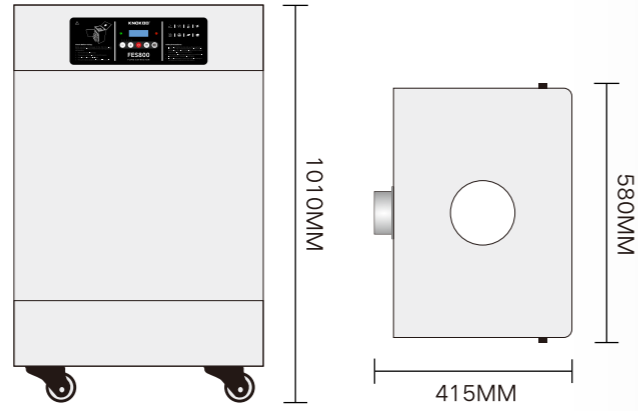
FES600



※Product performance or appearance may be upgraded and changed please refer to the actual product.

PRODUCT MODEL	FES600	POWER	600W
INPUT VOLTAGE	AC220V / 50Hz	AIR FLOW	670m³/h
FILTER LAYERS	5 Layers	PORT DIAMETER	Φ90mm
PIPE LENGTH	3m Hose(Customizable)	FILTRATION EFFCIENCY	0.3μm,99.97%
NOISE	<65dB	MAX NEGATIVE PRESSURE	3100pa
DIMENIONS	L580*W415*H925 mm	NET WEIGHT	60 kg

FES800



※Product performance or appearance may be upgraded and changed please refer to the actual product.

PRODUCT MODEL	FES800	POWER	800W
INPUT VOLTAGE	AC220V / 50Hz	AIR FLOW	750m³/h
FILTER LAYERS	6 Layers	PORT DIAMETER	Φ90mm
PIPE LENGTH	3m Hose(Customizable)	FILTRATION EFFCIENCY	0.3µm,99.97%
NOISE	<68dB	MAX NEGATIVE PRESSURE	3150pa
DIMENIONS	L580*W415*H1010 mm	NET WEIGHT	80 kg



LASER SERIES



02

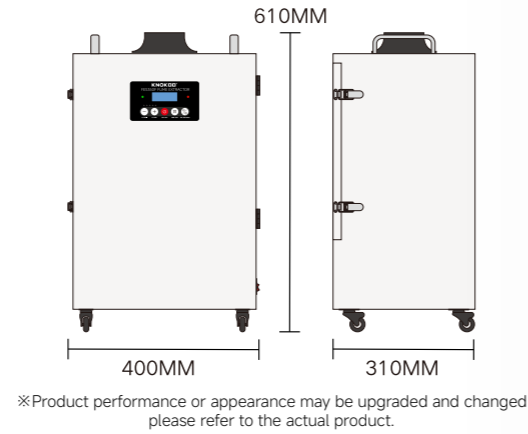
Product Overview

Processes such as laser marking, laser spot welding, and laser engraving generate smoke of various compositions and concentrations during operation. For different types and concentrations of smoke, it is necessary to use smoke purifiers with different power levels and filtration components. Our consistent principle is to adhere to a configuration standard that is high in efficiency, cost-effective, low in noise, and low in energy consumption. Our K series single and double-arm smoke purifiers, or one-to-multiple workstation purifiers, have won unanimous praise from many customers in the market due to their high efficiency, cost-effectiveness, low noise, and low energy consumption. These machines are technologically mature, stable in quality, and superior in performance to common purifier products on the market.

Product Features

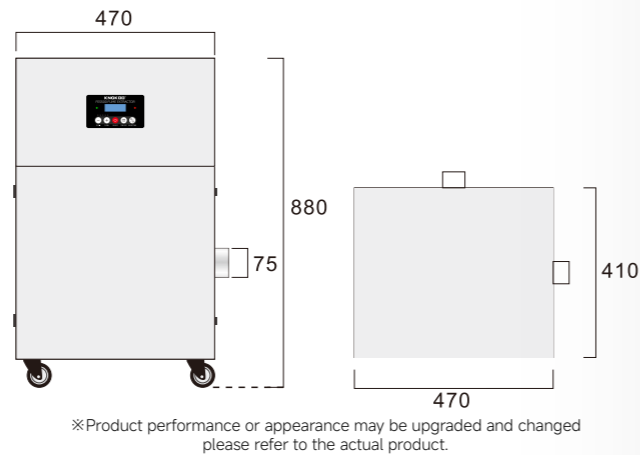
- The all-metal integrated chassis design, featuring a double-row buckle design, can withstand strong impacts and vibrations, providing enhanced sealing performance;
- High-definition LCD screen, capable of displaying multiple parameters simultaneously, provides a more intuitive experience;
- Multi-position adjustment, convenient for adjusting parameters according to needs, efficient and energy-saving;
- Timing and remote control functions make operation more convenient;
- Brushless motor, low noise, high speed, stable operation, long lifespan;
- Aviation-grade aluminum turbofan wheel, resistant to fatigue, operates smoothly with low noise, making the working environment quieter;
- The multi-stage filtration design ensures more thorough filtration of harmful substances, reducing environmental pollution;
- Filter blockage alarm: Automatically detect changes in pressure difference across the filter layer and send audible and visual alarm signals when the filter is blocked;
- Equipped with a high-temperature resistant POM bamboo tube with a diameter of 75MM, it features universal adjustment and can hover freely without external force;
- All filter elements can be replaced individually, effectively extending the lifespan of the main filter element, improving efficiency, and reducing costs;
- The bottom of the machine is equipped with silent PU wheels with locking function, which facilitates adjustment and movement according to needs, saving effort and providing peace of mind;
- It can be assembled and used in just three steps after disassembly. The installation is super simple, without the need for additional piping, saving both manpower and material resources.

FES350F



PRODUCT MODEL	FES35F	POWER	350W
INPUT VOLTAGE	AC220V / 50Hz	AIR FLOW	430m³/h
FILTER LAYERS	5 Layers	PORT DIAMETER	Φ75mm
PIPE LENGTH	1.4m(Customizable)	FILTRATION EFFCIENCY	0.3μm,99.97%
NOISE	<55dB	MAX NEGATIVE PRESSURE	2600pa
DIMENIONS	L400*W310*H610 mm	NET WEIGHT	29 kg

FES500



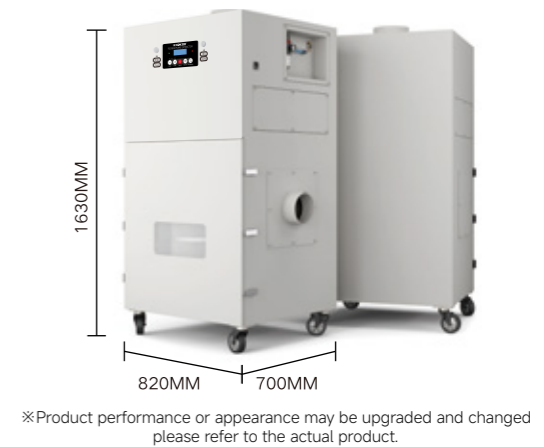
PRODUCT MODEL	FES500	POWER	500W
INPUT VOLTAGE	AC220V / 50Hz	AIR FLOW	560m³/h
FILTER LAYERS	2 Layers	PORT DIAMETER	Φ75mm
PIPE LENGTH	3m(Customizable)	FILTRATION EFFCIENCY	0.3μm,99.97%
NOISE	<60dB	MAX NEGATIVE PRESSURE	3200pa
DIMENIONS	L470*W410*H880 mm		

FES1000



PRODUCT MODEL	FES1000	POWER	1000W
INPUT VOLTAGE	AC220V / 50Hz	AIR FLOW	1100m³/h
FILTER LAYERS	3 Layers	PORT DIAMETER	Φ110mm
PIPE LENGTH	3m(Customizable)	FILTRATION EFFCIENCY	0.3μm,99.97%
NOISE	<65dB	MAX NEGATIVE PRESSURE	3600pa
DIMENIONS	L600*W550*H1203 mm		

FES1800



PRODUCT MODEL	FES1800	POWER	1800W
INPUT VOLTAGE	AC220V / 50Hz	AIR FLOW	2800m³/h
FILTER LAYERS	3 Layers	PORT DIAMETER	Φ110mm
PIPE LENGTH	3m(Customizable)	FILTRATION EFFCIENCY	0.3μm,99.97%
NOISE	<60dB	MAX NEGATIVE PRESSURE	3600pa
DIMENIONS	L600*W550*H1203 mm		

SMART INDUSTRIAL DUST COLLECTOR



03

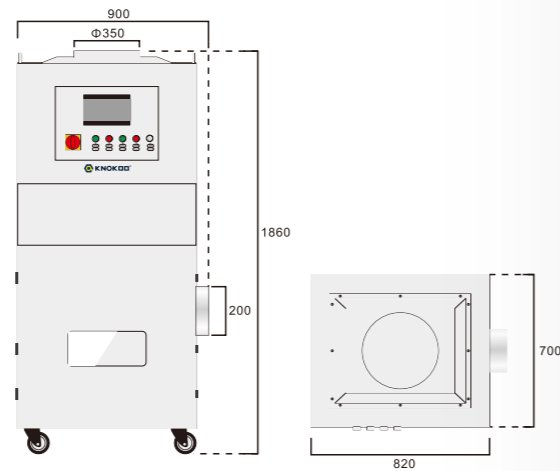
Product Overview

This series is an intelligent industrial dust collector equipped with PLC remote control functionality. Characterized by an integrated cabinet structure, it boasts a high air volume, making it suitable for capturing and filtering general floating dynamic dust. It primarily utilizes large air inlets and high wind speeds to draw dust into the collector. It exhibits excellent dust collection performance in metal cutting, welding, laser scribing processes, lithium battery production line support, woodworking furniture processing dust control, and powder operation dust control.

Product Features

- PLC control by a well-known major brand;
- Siemens motor + high-efficiency impeller;
- Intelligent back flush control system;
- Combine intermittent back flushing with continuous back flushing;
- The patented spiral nozzle design minimizes the dead zones for ash removal from the filter cartridge;
- Main power switch + emergency stop button design;
- The main electrical control is provided by the Xuan Naide brand;
- The filter is made of imported polyester fiber PTFE membrane material, with a filtration accuracy of 0.3 microns;
- The exhaust outlet adopts top exhaust;
- The filter box features an oversized transparent window design, allowing for a clear view of any dust accumulation.

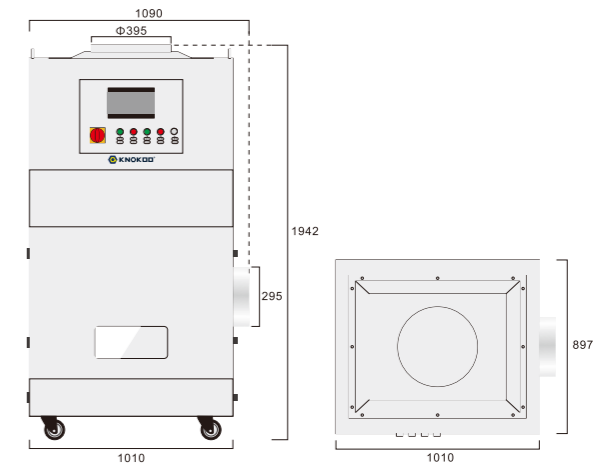
FES3000i



※Product performance or appearance may be upgraded and changed please refer to the actual product.

PRODUCT MODEL	FES3000i
INPUT VOLTAGE	AC380V / 50Hz
FILTER MATERIAL	Polyester Fiber With PTFE Coating
FILTRATION AREA	18m²
INHALABLE DIAMETER	200 / 250mm
DUST COLLECTION BOX	45L
NOISE	72dB
POWER	3000W
MAX NEGATIVE PRESSURE	2600pa
AIR FLOW	2800m³/h
NUMBER OF FILTER ELEMENTS	2
FILTRATION EFFCIENCY	0.3 - 1.0μm
EXHAUST DIAMETER	350mm
DIMENIONS	L820*W700*H1860 mm

FES5500i



※Product performance or appearance may be upgraded and changed please refer to the actual product.

PRODUCT MODEL	FES5500i
INPUT VOLTAGE	AC380V / 50Hz
FILTER MATERIAL	Polyester Fiber With PTFE Coating
FILTRATION AREA	44m²
INHALABLE DIAMETER	250 / 300mm
DUST COLLECTION BOX	65L
NOISE	75 ± 2dB
POWER	5500W
MAX NEGATIVE PRESSURE	2600pa
AIR FLOW	5800m³/h
NUMBER OF FILTER ELEMENTS	4
FILTRATION EFFCIENCY	0.3μm
EXHAUST DIAMETER	395mm
DIMENIONS	L1010*W897*H1942 mm

PULSES REVERSE BLOW SERIES



04

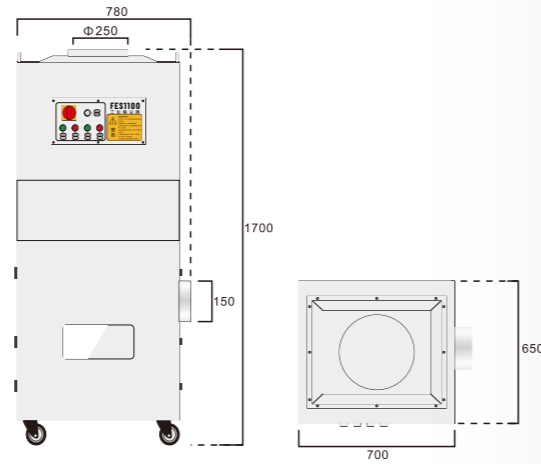
Product Overview

This series is a pulse-jet industrial dust collector, typically used for capturing and filtering floating dynamic dust. It is widely applied in high-volume industrial dust collection for grinding wheel sanding, laser cutting of sheet metal, laser welding workstations, laser scribing of solar panels, lithium battery production line support, dust collection in planetary dispersers, woodworking furniture processing dust control, and powder operation dust control. This machine integrates the filtration system, pulse-jet dust cleaning system, fan system, and electronic control system into a compact design, featuring a small footprint and high air volume. It has received widespread praise from customers and has established strategic cooperation plans with several large domestic laser manufacturing enterprises, selling as a standard supporting dust collector worldwide.

Product Features

- The integrated design of the machine body features a compact structure, elegant appearance, and a small footprint;
- The filter cartridge features a folded design, offering high filtration accuracy and a larger filtration area;
- The proprietary spiral nozzle features pneumatic pulse back-blowing for ash removal, which is simple and efficient;
- The filter box is designed with a see-through window, facilitating easy inspection of the dust status at any time;
- Equipped with Siemens motors, it boasts sufficient power, stable performance, and smooth operation;
- Schneider electric control main power switch, with phase sequence protection, thermal overload protection, and independent control of dust removal switch;
- The proprietary aluminum alloy turbocharger impeller operates with low noise, exhibits good dynamic balance, and generates high negative pressure;
- The filter element is made of imported polyester fiber PTFE membrane material, with a filtration accuracy of 0.3um;
- Both the left and right sides are equipped with reserved air intake ports, facilitating the connection of machines according to the site conditions;
- Equipped with a large-capacity dust collection box, it is convenient for storing the dust collected during work;
- The bottom is equipped with a universal mobile caster design, facilitating easy movement and adjustment;
- Customizable machines with higher power, such as 15KW and 20KW, are available.

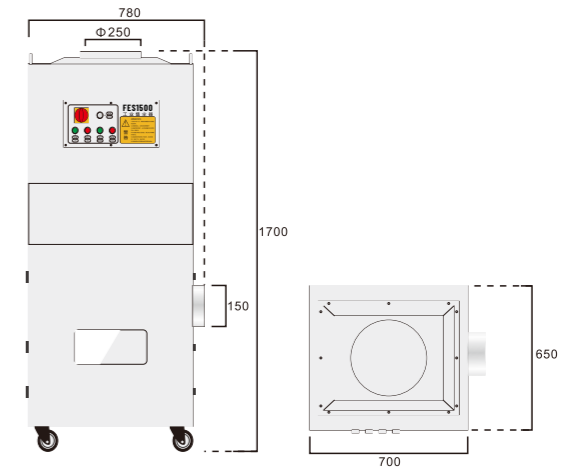
FES1100



※Product performance or appearance may be upgraded and changed please refer to the actual product.

PRODUCT MODEL	FES1100
INPUT VOLTAGE	AC380V / 50Hz
FILTER MATERIAL	Polyester Fiber With PTFE Coating
FILTRATION AREA	11m²
INHALABLE DIAMETER	100 / 150mm
DUST COLLECTION BOX	38L
NOISE	70 ± 2dB
POWER	1100W
MAX NEGATIVE PRESSURE	1800pa
AIR FLOW	1500m³/h
NUMBER OF FILTER ELEMENTS	1
FILTRATION EFFCIENCY	0.3μm
EXHAUST DIAMETER	250mm
DIMENIONS	L700*W650*H1700 mm

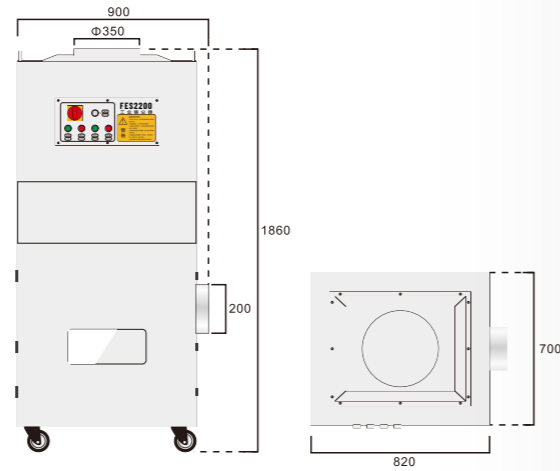
FES1500



※Product performance or appearance may be upgraded and changed please refer to the actual product.

PRODUCT MODEL	FES1500
INPUT VOLTAGE	AC380V / 50Hz
FILTER MATERIAL	Polyester Fiber With PTFE Coating
FILTRATION AREA	11m²
INHALABLE DIAMETER	100 / 150mm
DUST COLLECTION BOX	38L
NOISE	70 ± 2dB
POWER	1500W
MAX NEGATIVE PRESSURE	2200pa
AIR FLOW	1800m³/h
NUMBER OF FILTER ELEMENTS	1
FILTRATION EFFCIENCY	0.3μm
EXHAUST DIAMETER	250mm
DIMENIONS	L700*W650*H1700 mm

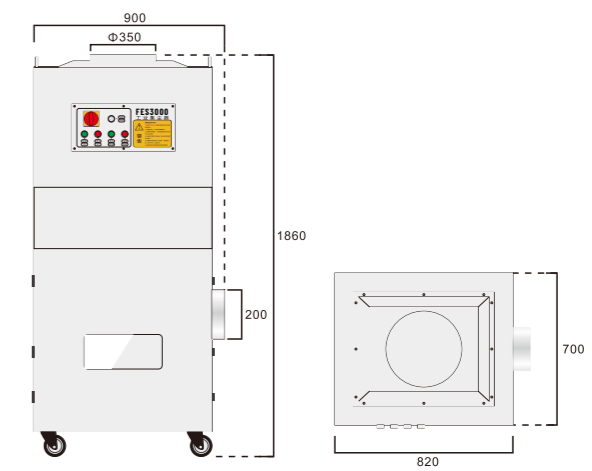
FES2200



※Product performance or appearance may be upgraded and changed please refer to the actual product.

PRODUCT MODEL	FES2200
INPUT VOLTAGE	AC380V / 50Hz
FILTER MATERIAL	Polyester Fiber With PTFE Coating
FILTRATION AREA	18m²
INHALABLE DIAMETER	150 / 200mm
DUST COLLECTION BOX	45L
NOISE	72 ± 2dB
POWER	2200W
MAX NEGATIVE PRESSURE	2400pa
AIR FLOW	2800m³/h
NUMBER OF FILTER ELEMENTS	2
FILTRATION EFFCIENCY	0.3μm , 99%
EXHAUST DIAMETER	350mm
DIMENIONS	L820*W700*H1860 mm

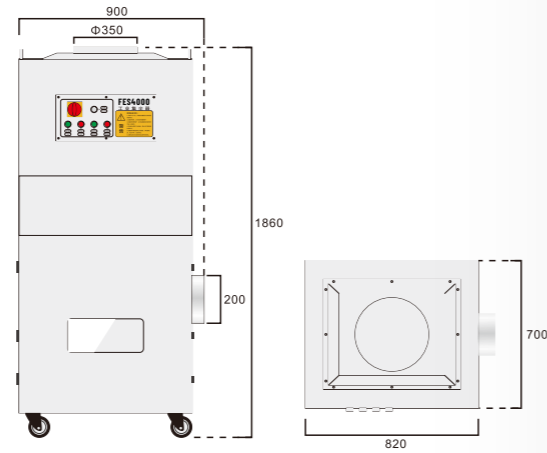
FES3000



※Product performance or appearance may be upgraded and changed please refer to the actual product.

PRODUCT MODEL	FES3000
INPUT VOLTAGE	AC380V / 50Hz
FILTER MATERIAL	Polyester Fiber With PTFE Coating
FILTRATION AREA	22m²
INHALABLE DIAMETER	200 / 250mm
DUST COLLECTION BOX	45L
NOISE	72 ± 2dB
POWER	3000W
MAX NEGATIVE PRESSURE	2600pa
AIR FLOW	3600m³/h
NUMBER OF FILTER ELEMENTS	2
FILTRATION EFFCIENCY	0.3μm
EXHAUST DIAMETER	350mm
DIMENIONS	L820*W700*H1860 mm

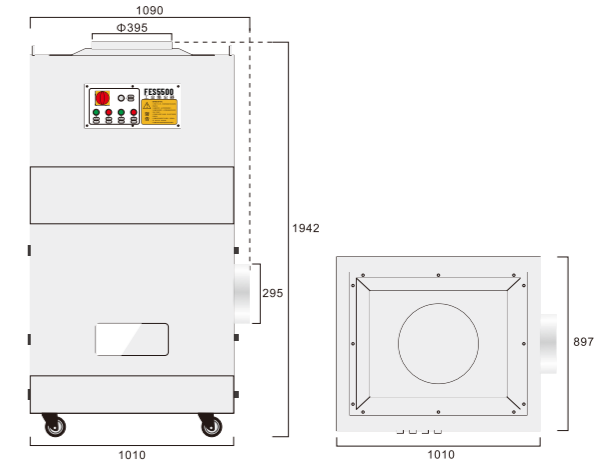
FES4000



※Product performance or appearance may be upgraded and changed please refer to the actual product.

PRODUCT MODEL	FES4000
INPUT VOLTAGE	AC380V / 50Hz
FILTER MATERIAL	Polyester Fiber With PTFE Coating
FILTRATION AREA	22m²
INHALABLE DIAMETER	200 / 250mm
DUST COLLECTION BOX	45L
NOISE	72 ± 2dB
POWER	4000W
MAX NEGATIVE PRESSURE	2600pa
AIR FLOW	4800m³/h
NUMBER OF FILTER ELEMENTS	2
FILTRATION EFFCIENCY	0.3μm
EXHAUST DIAMETER	350mm
DIMENIONS	L820*W700*H1860 mm

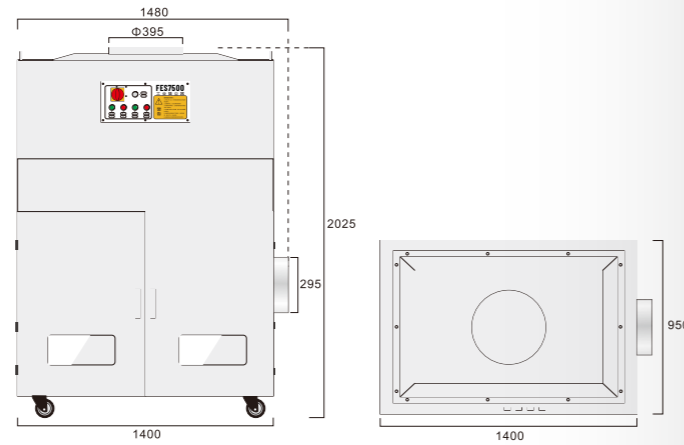
FES5500



※Product performance or appearance may be upgraded and changed please refer to the actual product.

PRODUCT MODEL	FES5500
INPUT VOLTAGE	AC380V / 50Hz
FILTER MATERIAL	Polyester Fiber With PTFE Coating
FILTRATION AREA	44m²
INHALABLE DIAMETER	250 / 300mm
DUST COLLECTION BOX	65L
NOISE	75 ± 2dB
POWER	5500W
MAX NEGATIVE PRESSURE	2600pa
AIR FLOW	5800m³/h
NUMBER OF FILTER ELEMENTS	4
FILTRATION EFFCIENCY	0.3μm , 99%
EXHAUST DIAMETER	395mm
DIMENIONS	L1010*W897*H1942 mm

FES7500



※Product performance or appearance may be upgraded and changed please refer to the actual product.



PRODUCT MODEL	FES7500
INPUT VOLTAGE	AC380V / 50Hz
FILTER MATERIAL	Polyester Fiber With PTFE Coating
FILTRATION AREA	70m²
INHALABLE DIAMETER	300 / 350mm
DUST COLLECTION BOX	90L
NOISE	80dB
POWER	7500W
MAX NEGATIVE PRESSURE	2800pa
AIR FLOW	8000m³/h
NUMBER OF FILTER ELEMENTS	6
FILTRATION EFFCIENCY	0.3μm
EXHAUST DIAMETER	450mm
DIMENIONS	L1400*W950*H2025 mm

MOXIBUSTION BEAUTY SERIES



05

Product Overview

With the development of society, more and more people are now paying attention to health preservation, and moxibustion is one of the most common methods. Moxibustion generally uses moxa sticks and moxa cones made from mugwort leaves, which produce a large amount of harmful smoke that irritates the eyes and nose during combustion. Long-term and large-scale inhalation of this harmful gas can cause significant damage to the body. In response to this phenomenon, Simeiya has developed a moxibustion smoke purifier with a special filter cartridge, which easily solves the problem of customers being troubled by moxa smoke while enjoying the benefits of moxibustion. Our moxibustion smoke purifier is widely promoted and used by domestic top-tier hospitals, major health clubs, moxibustion centers, and other moxibustion venues, and has received unanimous praise from customers.

Product Features

The all-metal integrated chassis design, featuring a double-row buckle design, is capable of resisting strong impacts and vibrations, providing enhanced sealing performance;

High-definition LCD screen, displaying multiple parameters simultaneously for a more intuitive experience;

Multi-position adjustment, convenient for adjusting parameters according to needs, efficient and energy-saving;

Timing and remote control functions make operation more convenient;

Brushless motor, low noise, high speed, stable operation, long lifespan;

Aviation-grade aluminum turbofan wheel, resistant to fatigue, operates smoothly and with low noise, making the working environment quieter;

The multi-stage filtration design ensures more thorough filtration of harmful substances, thereby reducing environmental pollution;

Filter element blockage alarm: Automatically detect changes in pressure difference across the filter layer and send audible and visual alarm signals when the filter element is blocked;

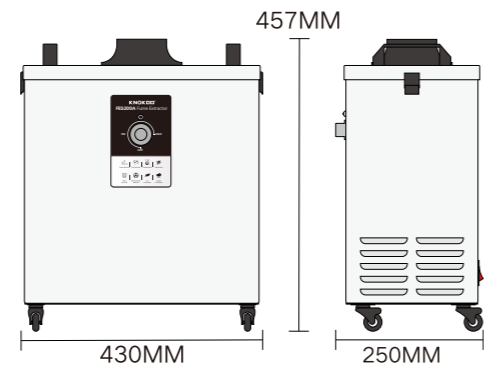
Equipped with a high-temperature resistant POM bamboo tube with a diameter of 75MM, it features universal adjustment and can hover freely without external force;

All filter elements can be replaced individually, effectively extending the lifespan of the main filter element, improving efficiency, and reducing costs;

The bottom of the machine is equipped with silent PU wheels with locking function, which facilitates adjustment and movement according to needs, saving effort and providing peace of mind;

Disassembly and assembly can be completed in three steps, making installation incredibly simple. No additional pipes are required, saving both manpower and resources.

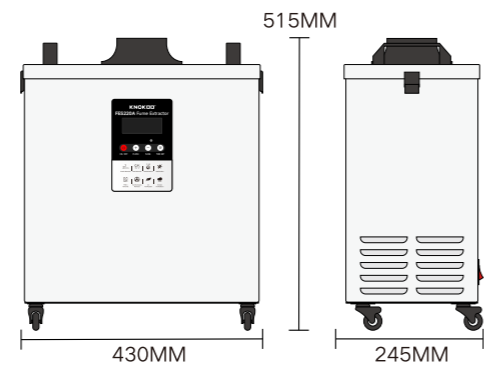
FES200A



※Product performance or appearance may be upgraded and changed please refer to the actual product.

PRODUCT MODEL	FES200A	POWER	200W
INPUT VOLTAGE	AC220V / 50Hz	AIR FLOW	425m³/h
FILTER LAYERS	4 Layers	PORT DIAMETER	Φ75mm
PIPE LENGTH	1.4m(Customizable)	FILTRATION EFFCIENCY	0.3μm,99.97%
NOISE	<55dB	MAX NEGATIVE PRESSURE	3000pa
DIMENIONS	L430*W250*H457 mm	NET WEIGHT	16.1 kg

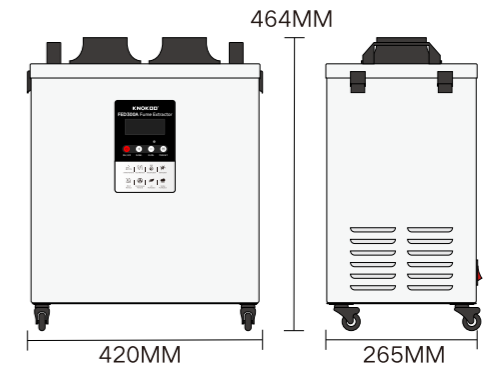
FES220A



※Product performance or appearance may be upgraded and changed please refer to the actual product.

PRODUCT MODEL	FES220A	POWER	220W
INPUT VOLTAGE	AC220V / 50Hz	AIR FLOW	435m³/h
FILTER LAYERS	4 Layers	PORT DIAMETER	Φ75mm
PIPE LENGTH	1.4m(Customizable)	FILTRATION EFFCIENCY	0.3μm,99.97%
NOISE	<55dB	MAX NEGATIVE PRESSURE	3100pa
DIMENIONS	L430*W245*H457 mm	NET WEIGHT	16.0 kg

FED300A



※Product performance or appearance may be upgraded and changed please refer to the actual product.

PRODUCT MODEL	FED300A	POWER	300W
INPUT VOLTAGE	AC220V / 50Hz	AIR FLOW	445m³/h
FILTER LAYERS	5 Layers	PORT DIAMETER	Φ80mm
PIPE LENGTH	1.4m(Customizable)	FILTRATION EFFCIENCY	0.3μm,99.97%
NOISE	<55dB	MAX NEGATIVE PRESSURE	3200pa
DIMENIONS	L420*W265*H464 mm	NET WEIGHT	18.6 kg



HIGH NEGATIVE PRESSURE SERIES



06

Product Overview

This series is a low-power high-negative pressure dust collector, featuring high negative pressure, compact size, and easy mobility. It is suitable for dust filtration and recovery in grinding, engraving, and other scenarios in the industrial, medical aesthetics, and jewelry industries. Our consistent principle of high efficiency, high cost-effectiveness, low noise, and low energy consumption has earned widespread praise from customers. These machines are technologically mature, stable in quality, and superior in performance compared to many dust collectors on the market. The high-negative pressure GF industrial dust collector generally uses strong suction and negative pressure to draw dust or fume into the dust collector for filtration. It employs a turbo vacuum pump, operates continuously for 24 hours, and is maintenance-free. It boasts advantages such as high efficiency, high cost-effectiveness, low noise, and low energy consumption. It is widely used in lithium battery welding production lines, wire cutting and tube supporting dust collection, laser cutting, and dual-purpose adsorption industries.

Product Features

Small in size, it occupies little operating space, can be flexibly placed, presents a neat and aesthetic appearance, and is easy to move;

The body adopts a fully metal integrated frame structure, which is highly impact-resistant and durable;

High-performance brushless fan, featuring large air volume, high negative pressure, stable operation, and low failure rate;

By manually adjusting the knob, the motor can achieve stepless speed regulation to increase or decrease negative pressure and air volume;

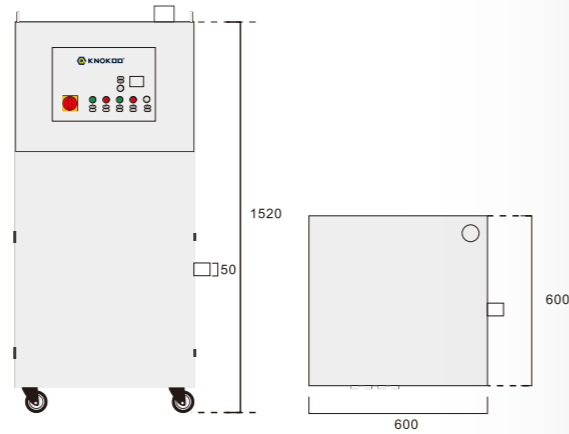
Aluminum alloy impeller, with stable performance, good balance, large air volume, and low noise;

The bottom is equipped with a dust collection box, which facilitates the collection of large particles and extends the lifespan of the main filter;

The filter adopts a modular structure, making replacement simple and quick, with low operating costs;

It can be used immediately after being powered on, easy to get started, simple to operate, and free from the hassle of installation.

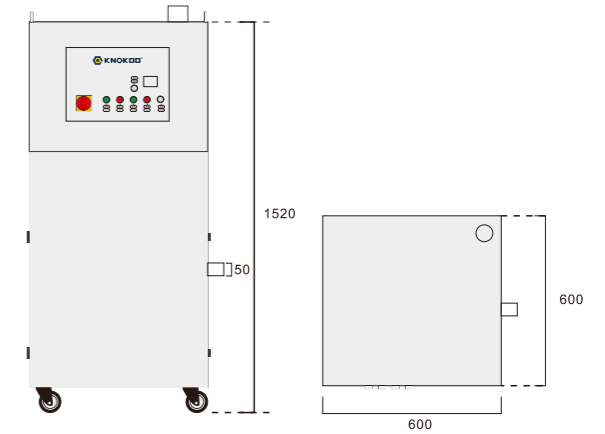
FES2000G



※Product performance or appearance may be upgraded and changed please refer to the actual product.

PRODUCT MODEL	FES2000G
INPUT VOLTAGE	AC380V / 50Hz
FILTER MATERIAL	Polyester Fiber With PTFE Coating
FILTRATION AREA	18m²
INHALABLE DIAMETER	55mm
DUST COLLECTION BOX	18L
NOISE	72 ± 2dB
POWER	2200W
MAX NEGATIVE PRESSURE	2000pa
AIR FLOW	265m³/h
NUMBER OF FILTER ELEMENTS	1
FILTRATION EFFCIENCY	0.3μm , 99%
EXHAUST DIAMETER	50mm
DIMENIONS	L600*W600*H1520 mm

FES4000G



※Product performance or appearance may be upgraded and changed please refer to the actual product.

PRODUCT MODEL	FES4000G
INPUT VOLTAGE	AC380V / 50Hz
FILTER MATERIAL	Polyester Fiber With PTFE Coating
FILTRATION AREA	18m²
INHALABLE DIAMETER	55mm
DUST COLLECTION BOX	18L
NOISE	72 ± 2dB
POWER	4000W
MAX NEGATIVE PRESSURE	2250pa
AIR FLOW	389m³/h
NUMBER OF FILTER ELEMENTS	1
FILTRATION EFFCIENCY	0.3μm
EXHAUST DIAMETER	50mm
DIMENIONS	L600*W600*H1520 mm

WAVE SOLDERING SERIES



07

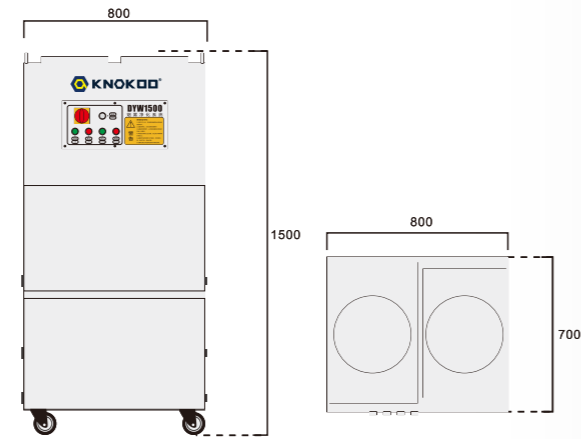
Product Overview

High-power smoke and dust purifiers are primarily designed to remove airborne particles of conformal coating and VOCs generated during the processing of automated wave soldering and reflow soldering. They are applied in automatic wave soldering, reflow soldering, laser welding, laser marking, PCB circuit board conformal coating, etc. Our company's series of smoke purifiers, characterized by high efficiency, high cost-effectiveness, low noise, and low energy consumption, have earned unanimous praise from numerous customers in the market. These machines boast mature technology, stable quality, and superior performance compared to commonly available purifier products on the market.

Product Features

- The all-metal integrated chassis design features a compact structure, elegant appearance, and a small footprint;
- Adopting a U-shaped air duct cooling design, with air entering from the top and exiting from the top, to facilitate heat dissipation;
- The Siemens motor is chosen for its sufficient power, stable performance, and smooth operation;
- Schneider electric control main power switch, featuring phase sequence protection and thermal overload protection, offers high safety;
- Proprietary aluminum alloy turbocharger impeller, low-noise operation, good dynamic balance, high negative pressure;
- The multi-stage filtration design ensures more thorough filtration of harmful substances, thereby reducing environmental pollution;
- All filter elements can be replaced individually, effectively extending the lifespan of the main filter element, improving efficiency, and reducing costs;
- The filter utilizes activated carbon with a high iodine value, ensuring a better odor removal effect;
- Aviation-style quick-release design for male and female connectors, ensuring convenient and aesthetically pleasing connection. The control panel has been enhanced with an emergency stop master switch;
- Equipped with a spark capture device, it is fire-resistant and explosion-proof;
- The bottom is equipped with a universal mobile caster design, facilitating easy movement and adjustment.

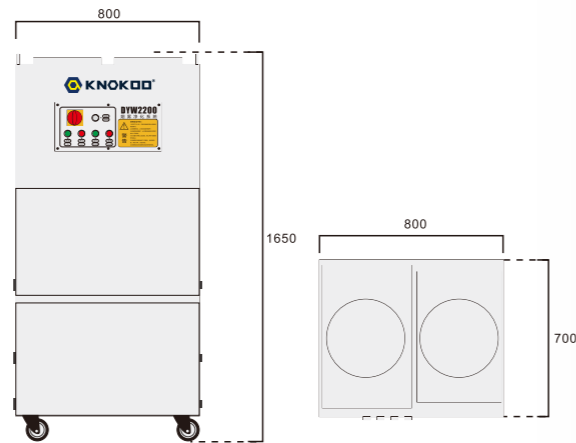
FES1500W



※Product performance or appearance may be upgraded and changed please refer to the actual product.

PRODUCT MODEL	FES1500W	POWER	1500W
INPUT VOLTAGE	AC380V / 50Hz / three-phase	AIR FLOW	1500m³/h
FILTER LAYERS	5 Layers	NO-LOAD SPEED	2950r/min
LOAD WIND SPEED	20m/s	PORT DIAMETER	200mm
NOISE	<65dB	MAX NEGATIVE PRESSURE	1800pa
DIMENIONS	L800*W700*H1500 mm	NET WEIGHT	180 kg

FES3000W



※Product performance or appearance may be upgraded and changed please refer to the actual product.

PRODUCT MODEL	FES3000W	POWER	3000W
INPUT VOLTAGE	AC380V / 50Hz / three-phase	AIR FLOW	2800m³/h
FILTER LAYERS	5 Layers	NO-LOAD SPEED	2950r/min
LOAD WIND SPEED	20m/s	PORT DIAMETER	200mm
NOISE	<70dB	MAX NEGATIVE PRESSURE	3200pa
DIMENIONS	L800*W700*H1650 mm	NET WEIGHT	200 kg



SOOT FLAVOR SERIES



08

Product Overview

This series can be applied to soldering tin, soldering iron welding, rosin welding, and other soldering industries, as well as laser marking, laser spot welding, laser engraving, and other laser marking industries. During the working process, various types and concentrations of smoke will be generated. For different types and concentrations of smoke, smoke purifiers with different power levels and different filter components need to be used respectively. This series of smoke and dust purifiers, including single, double, and four-station purifiers, have won unanimous praise from many customers in the market due to their high efficiency, high cost performance, low noise, and low energy consumption. These machines are technologically mature, stable in quality, and superior in performance compared to common purifier products on the market.

Product Features

The all-metal integrated chassis design can withstand strong impacts and vibrations;

Multi-level adjustment allows for convenient parameter adjustment according to needs, ensuring high efficiency and energy saving;

Timing and remote control functions make operation more convenient;

Brushless motor, low noise, high speed, stable operation, long lifespan;

Aviation-grade aluminum turbofan rotor, resistant to fatigue, operates smoothly with low noise, making the working environment quieter;

The multi-stage filtration design ensures more thorough filtration of harmful substances, reducing environmental pollution;

Filter element blockage alarm: Automatically detect changes in pressure difference across the filter layer and send audible and visual alarm signals when the filter element is blocked;

Equipped with a high-temperature resistant POM bamboo tube with a diameter of 55MM, it features universal adjustment and can hover freely without external force;

All filter elements can be replaced individually, effectively extending the lifespan of the main filter element, improving efficiency, and reducing costs;

The machine is compact and easy to move, saving effort and providing peace of mind;

Disassembly and assembly can be completed in three steps, making installation super simple. No additional pipes are required, saving both manpower and resources.

FES45S



※Product performance or appearance may be upgraded and changed please refer to the actual product.

PRODUCT MODEL	FES45S	POWER	45W
INPUT VOLTAGE	AC220V / 50Hz	AIR FLOW	130m³/h
FILTER LAYERS	2 Layers	PORT DIAMETER	Φ50mm
PIPE LENGTH	0.35m(Customizable)	FILTRATION EFFCIENCY	0.3μm,99.97%
NOISE	<52dB	MAX NEGATIVE PRESSURE	1400pa
DIMENIONS	L185*W185*H216 mm	NET WEIGHT	3.1 kg

FES060



※Product performance or appearance may be upgraded and changed please refer to the actual product.

PRODUCT MODEL	FES060	POWER	60W
INPUT VOLTAGE	AC220V / 50Hz	AIR FLOW	160m³/h
FILTER LAYERS	2 Layers	PORT DIAMETER	Φ50mm
PIPE LENGTH	0.5m(Customizable)	FILTRATION EFFCIENCY	0.3μm,99.97%
NOISE	<55dB	MAX NEGATIVE PRESSURE	1800pa
DIMENIONS	L185*W185*H300 mm	NET WEIGHT	4.3 kg

FES160



※Product performance or appearance may be upgraded and changed please refer to the actual product.

PRODUCT MODEL	FES160	POWER	160W
INPUT VOLTAGE	AC220V / 50Hz	AIR FLOW	270m³/h
FILTER LAYERS	3 Layers	PORT DIAMETER	Φ50mm
PIPE LENGTH	1.2m(Customizable)	FILTRATION EFFCIENCY	0.3μm,99.97%
NOISE	<55dB	MAX NEGATIVE PRESSURE	2800pa
DIMENIONS	L285*W285*H480 mm	NET WEIGHT	11 kg

FES200F



※Product performance or appearance may be upgraded and changed please refer to the actual product.

PRODUCT MODEL	FES200F	POWER	200W
INPUT VOLTAGE	AC220V / 50Hz	AIR FLOW	310m³/h
FILTER LAYERS	3 Layers	PORT DIAMETER	Φ50mm
PIPE LENGTH	1.4m(Customizable)	FILTRATION EFFCIENCY	0.3μm,99.97%
NOISE	<56dB	MAX NEGATIVE PRESSURE	2800pa
DIMENIONS	L315*W315*H500 mm	NET WEIGHT	14.2 kg

FES320



※Product performance or appearance may be upgraded and changed please refer to the actual product.

PRODUCT MODEL	FES320	POWER	320W
INPUT VOLTAGE	AC220V / 50Hz	AIR FLOW	330m³/h
FILTER LAYERS	3 Layers	PORT DIAMETER	Φ75mm
PIPE LENGTH	1.4m(Customizable)	FILTRATION EFFCIENCY	0.3µm,99.97%
NOISE	<58dB	MAX NEGATIVE PRESSURE	3600pa
DIMENIONS	L350*W350*H575 mm	NET WEIGHT	19 kg



SMOKE PURIFIER SERIES



09

Product Overview

The smoke and dust purification system used in this product is a small smoke purifier specially designed by our company for workplaces such as small laser cutting processing, laser marking, laser engraving, FDM, light curing, and manual soldering. It has good comprehensive purification effect for harmful gases such as dust, smoke, and exhaust gas generated in the above-mentioned places. With multi-layer filtration devices, the purification efficiency is as high as 99.97%. The clean air after purification treatment can be directly discharged indoors.

Product Features

1. High-quality fan operates with low noise

In terms of the power system, a high-quality motor is adopted, featuring high speed, strong negative pressure, and powerful suction. It can be directly connected to an AC100V-AC240V power supply and offers three-speed adjustment, allowing for the selection of air volume according to working conditions.

2. The control circuit is safe and reliable

The electrical system utilizes a specially designed advanced modular circuit board from our company, enabling speed regulation functionality. Key components are sourced from reputable brands and are of high-quality materials, fully ensuring operational safety and reliability.

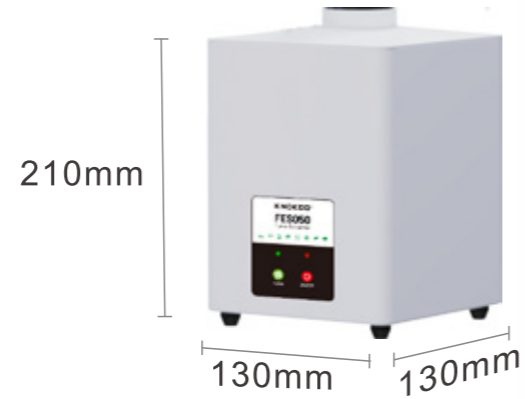
3. Combined filtration: The filtration system adopts multi-stage purification for thorough purification. With modular design, it provides layer upon layer of protection. Each layer can be replaced individually, extending the lifespan of the filter element and reducing the cost of use. The filtration is carried out layer by layer, ensuring that harmful smoke and dust are purified more thoroughly.

4. Injection molding and mold opening, featuring an aesthetically pleasing and elegant integrated mold opening frame structure design.

5. Anti-slip floor mats

Industrial anti-slip mats, with strong stability, shock absorption and anti-slip performance.

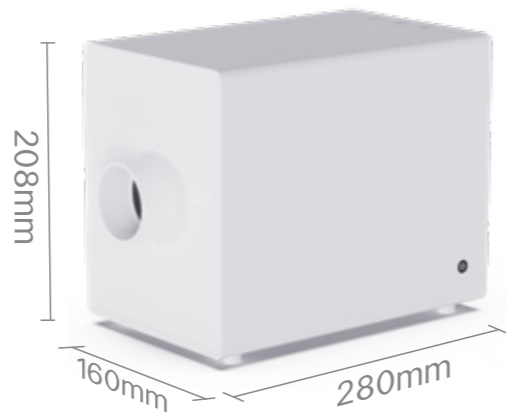
FES050



※Product performance or appearance may be upgraded and changed please refer to the actual product.

PRODUCT MODEL	FES050	POWER	50W
INPUT VOLTAGE	DC24V	AIR FLOW	35m³/h
FILTER LAYERS	3 Layers	PORT DIAMETER	Φ40mm
PIPE LENGTH	0.7m(Customizable)	FILTRATION EFFCIENCY	0.3μm,99.97%
NOISE	<52dB	MAX NEGATIVE PRESSURE	1600pa
DIMENIONS	L130*W130*H210 mm	NET WEIGHT	1.1 kg

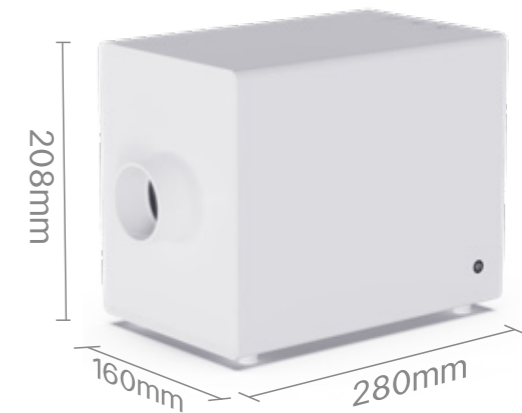
FES048



※Product performance or appearance may be upgraded and changed please refer to the actual product.

PRODUCT MODEL	FES048	POWER	48W
INPUT VOLTAGE	DC24V 2A	AIR FLOW	56.5m³/h
MOTOR MODEL	48W Brushless Motor	AIR VENT SIZE	57mm
NOISE	<62dB	MAX NEGATIVE PRESSURE	1250pa
DIMENIONS	L280*W160*H208 mm	WIND SPEED	8m/s

FES072



※Product performance or appearance may be upgraded and changed please refer to the actual product.

PRODUCT MODEL	FES072	POWER	72W
INPUT VOLTAGE	DC24V 3A	AIR FLOW	65m³/h
MOTOR MODEL	72W Brushless Motor	AIR VENT SIZE	57mm
NOISE	<62dB	MAX NEGATIVE PRESSURE	1650pa
DIMENIONS	L280*W160*H208 mm	WIND SPEED	8.5m/s